



FDA CE SGS

Fujian Safetech Protection Co.,LTD

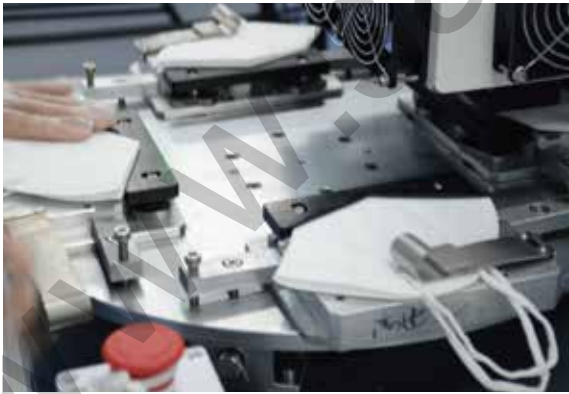
NAME LIST OF NON-MEDICAL USE FACE MASKS COMPANIES WITH
CERTIFICATION/AUTHORIZATION FROM OTHER COUNTRIES

FFP2 PROTECTIVE MASK

SOUNDPOND SAFETECH MANUFACTURING BASE



100,000 CLASS CLEAN WORKSHOP



TESTING CENTER





Located in China's southern-east coast, Fujian safetech protection Co.,LTD. has got our own large production facilities producing workwear, functional wear, rainwear, and uniforms.

Established in 2009, our company is a professional manufacturer engaged in the research, development, production, sales and service of medical instruments.

Our main products are disposable protective coverall , isolation gown, surgical gown, disposable shoes cover,safety glasses ,KN95 and so on.

Dedicated to strict quality control and thoughtful customer service, our experienced staff members are always available to discuss your requirements and ensure full customer satisfaction. In recent years, our company has introduced a series of advanced equipment.

In addition, we have attained FDA, CE and ISO9001 certificates. Selling well in all cities and provinces around China, our products are also exported to clients in such countries and regions as Africa, Europe and America.

We also welcome OEM and ODM orders.Whether selecting a current product from our catalog or seeking engineering assistance for your application, you can talk to our customer service center about your sourcing requirements.

PROTECTIVE MASK

GB2626-2019

FIVE-LAYER
THREE-DIMENSIONAL

CE 0598 FFP2 NR
EN 149:2001+A1:2009



MULTI-LAYERS PROTECTION



FIT-TO-FACE DESIGN



FOLDABLE



SOFT EARHOOK



TEMPERATURE RANGE OF STORING
-30° C TO +70° C



MAXIMUM RELATIVITY HUMIDITY OF STORING
80% AND MORE



DAMAGE DISABLED



2 YEARS (USABLE LIFE)



SEE INFORMATION SUPPLIED BY THE MANUFACTURER

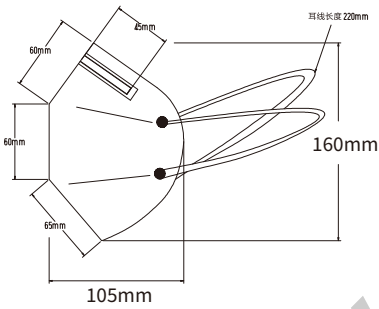
FILTRATION EFFICIENCY

≥ 95%

FFP2 PROTECTIVE MASK



Five-layers filter structure, high filtration efficiency, dust filter rate 95%, anti - particulate dust and pollen. Skin-friendly surface non-woven fabric has good water absorption function, the outer non-woven fabric has good water resistance and can continuously resist pollution. Inner nose clips KN95 protective masks are widely used in factories, electronic, instrumentation, food and outdoor places.



PRODUCT PARAMETERS			
Brand	Soundpond safetech	Color	○
Item number	SP-2020	Layer	Five-layer
Material	Non-woven fabric, melt-blown fabric	Function	Anti-fog Anti-dust Anti-spray
Storage	Cool Ventilation Dry	Package	Individual package

PACKAGE SIZE:

PACKAGING 1: PACKAGING 2: PACKAGING 3:

1pcs/polybag,
500bags/carton.



5pcs/polybag,
150bags/carton



10pcs/polybag,
150bags/carton



PACKAGING 4:

50pcs/box,
10 boxes/carton,
500pcs/carton.



MEDICAL DEVICE PRODUCTION LICENSE

Medical device production license
医疗器械生产许可证

License no.: Bureau of Fujian medical device supervision #20200618

许可证编号: 闽药监械生产许20200618号

企业名称: 福建顺邦防护科技有限公司
Company name: Fujian safetech protection co.,ltd

生产地址: 福州市闽侯县荆溪镇铁岭工业园一期九号东楼6号1号楼1层、2号楼9号楼1层
Address: Tieling Industrial zone, Zone 1,Block 9Jingxi town, Minhou county, Fuzhou, Fujian province P.R. China.

法定代表人: 刘玉林

生产范围: 一类、二类医护人员防护用品***

Legal representative: Liu Yulin

Production scope: class II 14-14 protective equipment for medical staff

企业负责人: 刘玉林
Business owner: Liu Yulin

License issuing department: Drug administration of Fujian

住所: 闽侯县铁岭工业集中区
Address: Tieling industrial concentration area, Minhou county

发证部门: 福建省药品监督管理局
福建省委省政府

有效期至: 至 2025 年 06 月 03 日

发证日期: 2020 年 06 月 04 日

Valid to :2025-JUNE-03

Date of Issue:2020-JUNE-04



RECORDAL REGISTER BOOK OF INTERNATIONAL TRADER

对外贸易经营者备案登记表

统一社会信用代码: 91350121793752241N

备案登记表编号: 03493846

进出口企业代码: _____

经营者中文名称	福建顺邦防护科技有限公司		
经营者英文名称	FUJIAN SAFETECH PROTECTION CO.,LTD.		
组织机构代码	_____	经营者类型 (由备案登记机关填写)	有限责任公司
住所	闽侯县铁岭工业集中区		
经营场所(中文)	闽侯县铁岭工业集中区		
经营场所(英文)	Tieling Industrial Concentration Area, Minhou County		
联系电话	13799990797	联系传真	_____
邮政编码	350101	电子邮箱	linlinganny@163.com
工商登记注册日期	2006-10-8	工商登记注册号	_____

依法办理工商登记的企业还须填写以下内容

企业法定代表人姓名	刘玉林	有效证件号	350102196309100516
注册资金	陆仟陆佰肆拾万元		(折美元)

依法办理工商登记的外国(地区)企业或个体工商户(独资经营者)还须填写以下内容

企业法定代表人/ 个体工商户负责人姓名		有效证件号	
企业资产/个人财产			(折美元)

备注	已完成原产地申请人备案, 请到检验检疫机构/贸促会办理原产地证
----	---------------------------------

填表前请认真阅读背面的条款, 并由企业法定代表人或个体工商户负责人签字, 盖章。



2020

04 年 月 日

NAME LIST OF NON-MEDICAL USE FACE MASKS COMPANIES WITH CERTIFICATION/AUTHORIZATION FROM OTHER COUNTRIES



中国医药保健品进出口商会
服务产业链 | 助力国际化

English

[首页](#) |
 [关于商会](#) |
 [新闻中心](#) |
 [行业服务](#) |
 [权威发布](#) |
 [商会会刊](#) |
 [企业风采](#) |
 [会员之家](#) |
 [加入商会](#)

新闻中心 > 通知公告

动态更新：取得国外标准认证或注册的非医用口罩生产企业清单

2020年10月17日 中国医药保健品进出口商会

推荐阅读

序号	生产企业	统一社会信用代码	国外注册认证情况
882	福建顺邦防护科技有限公司 Fujian Safetech Protection Co.,Ltd	91350121793752244N	欧盟CE
883	深圳市维珍妮医疗科技有限公司 Shenzhen Regina Miracle Medical Technology Co., Ltd.	91440300MA5G811Y9B	欧盟CE
884	深圳市大生圆医疗器械有限公司 Shenzhen Da Sheng Yuan Medical Equipments Company Limited	91440300MA5G45J4X1	欧盟CE
885	易纬(广东)医疗生物科技有限公司 Everlasting(Guangdong) Medical&Biological Technology Co.,Ltd.	91441802MA54CK9WGT	欧盟CE
886	惠州市中德医疗科技有限公司	91441302MA4UH-HPTZ	欧盟CE

动态更新：取得国外标准认证或注册的非医用口罩生产企业清单...
 医药商会荣获商务部抗击新冠肺炎疫情工作特别贡献奖
 关于邀请参加2020防疫物资精品展暨医疗器械国际会...
 国内具备欧盟 (EN149/14683) 检测能力的检测机构...
 克旗现场今取双胜利 | “战时” 担当当 专业防疫区 谱...
 ...
 相关表述
 社口“抗击疫情经验国际...
 一行赴防疫物资生产企业北...
 海外商医审核交流视频会议
 商会党组织负责人接受央视...

2020年10月17日 中国医药保健品进出口商会

取得国外标准认证或注册的非医用口罩生产企业清单

动态更新：2020年10月16日下载

序号	生产企业	统一社会信用代码	国外注册认证情况
882	福建顺邦防护科技有限公司 Fujian Safetech Protection Co.,Ltd	91350121793752244N	欧盟CE
883	深圳市维珍妮医疗科技有限公司 Shenzhen Regina Miracle Medical Technology Co., Ltd.	91440300MA5G811Y9B	欧盟CE
884	深圳市大生圆医疗器械有限公司 Shenzhen Da Sheng Yuan Medical Equipments Company	91440300MA5G45J4X1	欧盟CE



FOOD AND DRUG ADMINISTRATION

Classification Name:FACE MASK (EXCEPT N95 RESPIRATOR) FOR GENERAL PUBLIC/HEALTHCARE PERSONNEL PER IIE GUIDANCE

Registered Establishment Name:FUJIAN SAFETECH PROTECTION CO., LTD

Registered Establishment Number: **3016666730**

Owner/Operator:Fujian Safetech Protection Co Ltd

Owner/Operator Number: **10063359**

Establishment Operations:Manufacturer



U.S. Department of Health & Human Services

Follow FDA | En Español

U.S. FOOD & DRUG ADMINISTRATION

Home | Food | Drugs | Medical Devices | Radiation-Emitting Products | Vaccines, Blood & Biologics | Animal & Veterinary | Cosmetics | Tobacco Products

Establishment Registration & Device Listing

1 result found for Owner Operator Number : 10063359

Establishment Name	Registration Number	Current Registration Yr
FUJIAN SAFETECH PROTECTION CO., LTD CHINA	3016666730	2020
<ul style="list-style-type: none"> Suit, Surgical Face Mask (Except N95 Respirator) For General Public/Healthcare Personnel Per Iie Guidance Non-Surgical Isolation Gown Respirator, Surgical - KN95 		Manufacturer

Can't find what you're looking for? [Try a new search](#)

Page Last Updated: 05/04/2020
Note: If you need help accessing information in different file formats, see Instructions for Downloading View

Classification Name:	FACE MASK (EXCEPT N95 RESPIRATOR) FOR GENERAL PUBLIC/HEALTHCARE PERSONNEL PER IIE GUIDANCE
Product Code:	QKR
Device Class:	Not Classified
Registered Establishment Name:	FUJIAN SAFETECH PROTECTION CO., LTD
Registered Establishment Number:	3016666730
Owner/Operator:	Fujian Safetech Protection Co Ltd
Owner/Operator Number:	10063359
Establishment Operations:	Manufacturer

MODULE B, EU TYPE-EXAMINATION



EN 149:2001+A1:2009 FFP2NR



MODULE D



SP2020 EAR AND HEAD BAND-PROTECTIVE FACE MASK WITHOUT VALVE-EN149 TEST REPORT

Test Report SL20352604401TX Date: June 29, 2020 Page 1 of 10

FULIAN SAFETECH PROTECTION CO., LTD.
NO.8 ROAD EAST, TIEJIANG INDUSTRIAL ZONE (1), JINXI TOWN, MINXU COUNTY, FUDUO 350101, FUJIAN

The following sample(s) were submitted and identified on behalf of the client as:

Sample Description: (A) Protective face mask (Non-medical)

Client: FFFP
Style No.: SP2020
Sample Color: (A)White
Manufacturer: FULIAN SAFETECH PROTECTION CO., LTD.

Test Performance: Selected (test/s) as requested by applicant

Sample Receiving Date: Jun 11, 2020
Testing Period: Jun 16, 2020 - Jun 29, 2020

Test Result(s): Unless otherwise stated the results shown in this test report refer only to the sample(s) tested; for further details, please refer to the following appendix:

Conclusion:

Sample No.	Recommendation Level
A1	FFFP:0C

Signed for and on behalf of
SGS-CSTC Standards Technical Services (Shanghai) Co., Ltd Testing Center

Sarah Chen

Sara Qiao (Account Executive)



Test Report SL20352604401TX Date: June 29, 2020 Page 4 of 10

Class 7.2 Penetration of Filter Material (EN 149:2001+A1:2009, Clause 8.1 & EN 15274-2:2019)

Test Requirement	Results	Comment
The penetration of the filter of the particle filtering half mask shall meet the requirements of the following table:		
Ion	Sodium chloride test 95 min Paraffin oil test 95 min	Detail refer to Appendix 2
FFFP	10	Pass
FFFP	5	
FFFP	5	

Appendix 2: Summarization of Test Data

Penetration of filter material

Aerosol	Condition	Sample No.	Penetration (%)
Sodium chloride test	As received	1	0.00
		2	0.00
	Simulated wearing treatment	4	0.00
		5	0.00
	Mechanical strength + Temperature conditioned	6	0.00
		7	0.00
Paraffin oil test	As received	10	0.00
		11	0.00
	Simulated wearing treatment	12	0.00
		13	0.00
	Mechanical strength + Temperature conditioned	14	0.00
		15	0.00



Test Report SL20352604401TX Date: June 29, 2020 Page 7 of 10

Class 7.18 Breathing Resistance (EN 149:2001+A1:2009, Clause 8.5)

Test Requirement	Results	Comment
The penetration of the filter of the particle filtering half mask shall meet the requirements of the following table:		
Classification	Maximum measured resistance (Pa)	Estimation (Pa)
FFFP	0.5	0.5
FFFP	0.5	0.5
FFFP	1.0	1.0

Appendix 5: Summarization of Test Data

Respiratory resistance (inhalation)

Flow (L/min)	A	B	C	D	E	A	B	C	D	E	A	B	C	D	E
As received	30	0.2	0.4	0.3	0.4	0.4	0.3	0.4	0.3	0.4	0.3	0.4	0.3	0.4	0.3
Simulated wearing treatment	30	0.2	0.4	0.3	0.4	0.4	0.3	0.4	0.3	0.4	0.3	0.4	0.3	0.4	0.3



Test Report SL20352604401TX Date: June 29, 2020 Page 2 of 10

Test Result

Respiratory Protective Devices - Filtering Half Masks to Protect against Particles - Requirements (EN 149:2001+A1:2009)

Class 7.4 Packaging (EN 149:2001+A1:2009, Clause 8.2)

Test Requirement	Results	Comment
Particle filtering half masks shall be efficient for safe packaging in such a way that they may be protected against mechanical damage and contamination before use.	Comply	Pass

Class 7.5 Material (EN 149:2001+A1:2009, Clause 8.2 & 8.3.1 & 8.3.2)

Test Requirement	Results	Comment
Materials used shall be suitable to withstand handling and wear over the period for which the particle filtering half mask is designed to be used.	Comply	
Particle filtering half masks shall have sufficient mechanical fabric of the respiratory or straps.	Comply	Pass
When conditioned in accordance with 8.3.1 and 8.3.2 the particle filtering half mask shall not collapse.	Comply	
Any material from the filter media released by the air flow through the filter shall not constitute a hazard or nuisance for the wearer.	Comply	



Test Report SL20352604401TX Date: June 29, 2020 Page 5 of 10

Class 7.19 Comfortability with Use (EN 149:2001+A1:2009, Clause 8.4 & 8.5)

Test Requirement	Results	Comment
Materials that may come into contact with the wearer's skin shall be proven to be likely to cause irritation or any other adverse effect to health.	No irritation or any other adverse effect to health	Pass

Class 7.21 Flammability (EN 149:2001+A1:2009, Clause 8.6)

Test Requirement	Results	Comment
The material used shall not present a danger for the wearer and shall not be of highly flammable nature.	Detail refer to Appendix 3	Pass

Appendix 3: Summarization of Test Data

Flammability

Condition	Sample No.	Result
As received	1	NIL
Temperature conditioned	4	NIL



Test Report SL20352604401TX Date: June 29, 2020 Page 8 of 10

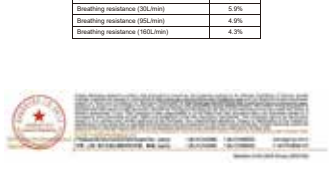
Class 7.22 Carbon Dioxide Content of the Inhalation Air (EN 149:2001+A1:2009, Clause 8.8 & 8.10)

Test Requirement	Results	Comment
The carbon dioxide content of the inhalation air (closed space) shall not exceed 0.1% on a dry basis at 100 L/min continuous flow.	Detail refer to Appendix 4	Pass

Appendix 4: Summarization of Test Data

Carbon Dioxide Content of the Inhalation Air

Condition	Sample No.	Result (%)
As received	1	0.4850
	3	0.4840



Test Report SL20352604401TX Date: June 29, 2020 Page 3 of 10

Class 7.6 Finish of Parts (EN 149:2001+A1:2009, Clause 8.2)

Test Requirement	Results	Comment
Parts of the device likely to come into contact with the wearer shall have no sharp edges or burrs.	No sharp edges or burrs	Pass

Class 7.7.1 Total inward Leakage (EN 149:2001+A1:2009, Clause 8.1)

Test Requirement	Results	Comment
The total inward leakage consists of three components: face seal leakage, inhalation valve leakage and exhalation valve leakage and filter penetration.		
For particle filtering half masks fitted in accordance with the manufacturer's information of head size out of the 10 individual wearer anthropometric subjects 5 (50%) the total inward leakage shall be not greater than: 25% for FFP1, 11% for FFP2, 5% for FFP3.	Detail refer to Appendix 1	Pass



Appendix 1: Summarization of Test Data

Total Inward Leakage (Test Data)

Sample No.	A	B	C	D	E	A	B	C	D	E	A	B	C	D	E
Test 1	1	1	1	1	1	1	1	1	1	1	1	1	1	1	1
Test 2	1	1	1	1	1	1	1	1	1	1	1	1	1	1	1

Class 7.13 Head Form (EN 149:2001+A1:2009, Clause 8.6 & 8.5)

Test Requirement	Results	Comment
The head harness shall be designed so that the particle filtering half mask can be donned and removed easily.	Comply	Pass
The head harness shall be adjustable or self-adjusting and shall be sufficiently robust to hold the particle filtering half mask firmly in position and to protect of maintaining half mask leakage requirements for the device.	Comply	

Class 7.14 Field of Vision (EN 149:2001+A1:2009, Clause 8.4)

Test Requirement	Results	Comment
The field of vision is acceptable if determined as in practical performance tests.	Comply	Pass



Class 7.15 Exhalation Valve (EN 149:2001+A1:2009, Clause 8.2 & 8.1 & 8.3.4 & 8.6)

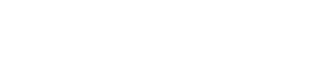
Test Requirement	Results	Comment
(a) A particle filtering half mask may have one or more exhalation valves, which shall function correctly in all orientations.	Not applicable due to No exhalation valve	
(b) If an exhalation valve is provided it shall be protected against or be resistant to oil and mechanical damage and may be structured of any material other than plastic but may be necessary for the particle filtering half mask to comply with 8.2.	Not applicable due to No exhalation valve	
(c) Exhalation valves, if fitted, shall continue to operate correctly after a continuous exhalation flow of 300 l/min over a period of 30 s.	Not applicable due to No exhalation valve	
(d) When the exhalation valve housing is attached to the facepiece, it shall withstand linearly a tensile force of 10N applied for 10 s.	Not applicable due to No exhalation valve	



Test Report SL20352604401TX Date: June 29, 2020 Page 9 of 10

Class 7.23 Uncertainty

Test	Uncertainty
Total inward leakage	4%
Penetration of filter material	4.9%
Carbon dioxide content of the inhalation air	3.9%
Chemical resistance (0.5L/min)	5.0%
Breathing resistance (0.5L/min)	4.9%
Breathing resistance (150L/min)	4.3%



TEST REPORT-GB2626-2006

SGS MA CNAS 中国认可 测试 CERTIFIED TESTING CNAS 1599

检测报告 编号 日期 第 1 页共 6 页
 Test Report No. SL520252571281TX Date: 2020-7-10 Page 1 of 6

下列样品由客户提供并确认: The following sample(s) was/were submitted and identified on behalf of the client:

客户信息 Client Information	委托单位: Consignor:	福建斯耐防护科技有限公司 FUJIAN SAFETECH PROTECTION CO., LTD
	委托单位地址: Consignor address:	福建省福州市闽侯县青圃镇钢铁砂工业园一期九号路 6 号 NO.6 ROAD EAST, TIEJING INDUSTRIAL ZONE (1), JINGXI TOWN, MINHOU COUNTY, FUZHOU 350111, FUJIAN
样品信息 Sample Information	样品描述: Sample Description:	KN95 防护口罩(非医用), 无纺布, 熔喷布, 颜色为白色。 KN95 protective face mask (non-medical), non-woven/melt-blown in white.
	样品名称: style No.:	SF2020
	生产厂家: Manufacturer:	福建斯耐防护科技有限公司 FUJIAN SAFETECH PROTECTION CO., LTD
	样品数量: Sample Quantity:	1 包 One package
检测信息 Test Information	检测日期: Sample Received Date:	2020-05-13
	检测周期: Test Period:	2020-05-13-2020-07-10
	检测报告: Document Accordance	详见检测报告 See test result page
	检测依据: Judgement Accordance	客户要求: GB 2626-2006 呼吸防护用品 过滤式过滤颗粒物呼吸器 requirement: GB 2626-2006 Respiratory protective equipment- Non-powered or purifying particle respirator
检测结果: Test Conclusion	本报告仅就提交的数据和样品判定, 详见检测报告。总页: The report only give the test result and individual judgement, detail please see follow page.	

福建斯耐防护科技有限公司
 SGS-CSTC Standards Technical Services (Shanghai) Co., Ltd
 批准人签署 Approved by:

 斯耐 Ethen Cui
 (授权签字人 Authorized Signatory)
 请参见以下检测报告
 This test report refer only to the samples tested

SGS 检测报告 编号 日期 第 2 页共 6 页
 Test Report No. SL520252571281TX Date: 2020-7-10 Page 2 of 6

检测项目及判定方法
Test Items and Judgment

序号 No.	检测项目及判定方法 Test Item & Test Methods	单位 Unit	技术要求 Requirement	检测结果 Test Result	单项判定 Individual Judgment
1.	外观检查 Appearance (GB 2626-2006 6.1)	-	样品表面不得有裂纹、变形等明显的其他缺陷; 部件材料和结构应能耐受正常使用条件下可能遇到的冲击、碰撞和机械冲击, 无变形; 可更换式卡扣的卡扣设计应为可更换; 卡扣的锁紧力在锁紧时不应出现明显的视觉变形的情况; 经温度湿度预处理和机械冲击试验后, 零件不应松动、脱落和变形。 The sample surface shall be no damage, deformation and other other defects. The materials and structure of the sample shall be able to withstand normal use conditions and possible temperature, humidity. The mask band should be adjustable. After temperature, humidity pretreatment, the sample surface shall be no damage, deformation and other other defects.	符合要求 Meet requirement	符合 Pass

SGS 检测报告 编号 日期 第 3 页共 6 页
 Test Report No. SL520252571281TX Date: 2020-7-10 Page 3 of 6

序号 No.	检测项目及判定方法 Test Item & Test Methods	单位 Unit	技术要求 Requirement	检测结果 Test Result	单项判定 Individual Judgment
2.	头带 Mask band (GB 2626-2006 6.11)	-	固定式面罩: 10N 持续 10s, 不应出现滑脱或断裂。 For disposable face mask: Apply a tensile force of 10 N for 10 s, no slip-out, breakage occurs during the test.	未预处理 Original	符合 Pass
				后处理 After pretreatment	符合 Pass
3.	可燃性 Burning behavior" (GB 2626-2006 6.15)	-	暴露于火焰的各部件由火焰移除后, 不应继续燃烧, 如要燃烧, 燃烧时间不得超过 5s。 Where tested, the mask shall not burn or not to continue to burn for more than 5s after removal from the flame.	未预处理 Original	符合 Pass
				后处理 After pretreatment	符合 Pass

SGS 检测报告 编号 日期 第 4 页共 6 页
 Test Report No. SL520252571281TX Date: 2020-7-10 Page 4 of 6

序号 No.	检测项目及判定方法 Test Item & Test Methods	单位 Unit	技术要求 Requirement	检测结果 Test Result	单项判定 Individual Judgment
4.	吸气阻力 Inhalation resistance" (GB 2626-2006 6.3)	Pa	≤350	未预处理 Original: 177 预处理 After pretreatment: 156	符合 Pass
5.	呼气阻力 Exhalation resistance" (GB 2626-2006 6.4)	Pa	≤250	未预处理 Original: 143 预处理 After pretreatment: 151	符合 Pass
6.	过滤效率 Filtration Efficiency (GB 2626-2006 6.5)	%	≥95.0	未预处理 Original: 97.216, 97.268, 97.544, 97.829, 97.833, 98.059, 98.157, 97.500 预处理 After pretreatment: 98.253, 98.310, 98.342, 98.476	符合 Pass
7.	视野 Field of vision" (GB 2626-2006 6.9)	%	≥1	0.7	符合 Pass
8.	视野 Field of vision" (GB 2626-2006 6.10)	-	下方视野 ≥60° Lower field of vision: ≥60°	61°	符合 Pass

备注: 中国合格评定国家认可委员会认定证书有效范围内, 测试及标准检验认证股份有限公司执行, 其 CMA 资质认定证书编号为 20021534010, 检测项目不在国家认可范围内, 检测项目不在国家认可范围内。
 Remarks: "The test is not approved in SGS SH by China Inspection Body and Laboratory Mandatory Approval. It was carried out by Tianfangshan standardization certification & testing co., ltd and it's CMA qualification authentication license Numbers is 20021534010, the test item is not approved in the CNAS qualification authentication license.

SGS 检测报告 编号 日期 第 5 页共 6 页
 Test Report No. SL520252571281TX Date: 2020-7-10 Page 5 of 6

序号 No.	检测项目及判定方法 Test Item & Test Methods	单位 Unit	技术要求 Requirement	检测结果 Test Result	单项判定 Individual Judgment
9.	漏气 Leak (GB 2626-2006 6.4)	-	50 个动作中至少 45 个动作的 TL ≤11%, 10 个动作中至少 8 个动作的 TL ≤8% TL of at least 45 of 50 actions is <11%. TL of at least 8 out of 10 subjects <8%	未预处理 Original: 4.87, 4.24, 4.20, 4.52, 4.37, 4.30, 4.34, 7.38, 7.69, 7.65, 6.40, 7.19, 4.42, 4.28, 4.26, 4.16, 4.54, 4.29, 4.84, 3.45, 4.24, 7.74, 4.25, 4.50, 4.64, 6.43, 7.86, 8.18, 7.89, 7.37, 4.27, 4.51, 4.66, 4.20, 4.64, 4.28, 4.20, 4.48, 4.54, 4.17, 4.19, 7.26, 7.43, 4.26, 4.24, 4.20, 4.21, 4.26, 4.16, 4.28, 4.28, 4.69, 4.70, 4.74, 4.77, 4.12, 4.59, 4.28, 7.34, 7.22, 4.53, 4.53, 7.28	符合 Pass

SGS 检测报告 编号 日期 第 6 页共 6 页
 Test Report No. SL520252571281TX Date: 2020-7-10 Page 6 of 6

此符合声明仅基于本次实验室活动的实际数据, 本报告仅就提交的数据和样品判定, 并不承担其他不确定性。
 The statement of conformity in this test report is only based on measured values by the laboratory and does not take their uncertainties into consideration.

报告结束
 "End of Report"

TEST REPORT-GB2626-2019

SGS 检测方 客户 日期 页 1 共 1

Test Report No. N16200004674 Date: 2020.7.4 Page 1 of 1

检测项目: 呼吸防护用品的型式检验和认证

客户名称: 普瑞斯防护用品(上海)有限公司
客户地址: 上海市浦东新区川沙新镇川沙路1111号普瑞斯防护用品(上海)有限公司

检测标准: GB 2626-2019
检测项目: 呼吸防护用品的型式检验和认证

检测日期: 2020.7.4
检测地点: 普瑞斯防护用品(上海)有限公司

检测人员: 王明
检测地点: 普瑞斯防护用品(上海)有限公司

检测地点: 普瑞斯防护用品(上海)有限公司

SGS 检测方 客户 日期 页 2 共 1

Test Report No. N16200004674 Date: 2020.7.4 Page 2 of 1

序号	检测项目	检测方法	标准要求	检测结果	判定
1	呼吸防护用品的型式检验和认证	GB 2626-2019	呼吸防护用品的型式检验和认证	合格	合格

SGS 检测方 客户 日期 页 3 共 1

Test Report No. N16200004674 Date: 2020.7.4 Page 3 of 1

序号	检测项目	检测方法	标准要求	检测结果	判定
2	呼吸防护用品的型式检验和认证	GB 2626-2019	呼吸防护用品的型式检验和认证	合格	合格

SGS 检测方 客户 日期 页 4 共 1

Test Report No. N16200004674 Date: 2020.7.4 Page 4 of 1

序号	检测项目	检测方法	标准要求	检测结果	判定
3	呼吸防护用品的型式检验和认证	GB 2626-2019	呼吸防护用品的型式检验和认证	合格	合格

SGS 检测方 客户 日期 页 5 共 1

Test Report No. N16200004674 Date: 2020.7.4 Page 5 of 1

序号	检测项目	检测方法	标准要求	检测结果	判定
4	呼吸防护用品的型式检验和认证	GB 2626-2019	呼吸防护用品的型式检验和认证	合格	合格

SGS 检测方 客户 日期 页 6 共 1

Test Report No. N16200004674 Date: 2020.7.4 Page 6 of 1

序号	检测项目	检测方法	标准要求	检测结果	判定
5	呼吸防护用品的型式检验和认证	GB 2626-2019	呼吸防护用品的型式检验和认证	合格	合格

SGS 检测方 客户 日期 页 7 共 1

Test Report No. N16200004674 Date: 2020.7.4 Page 7 of 1

检测项目: 呼吸防护用品的型式检验和认证

客户名称: 普瑞斯防护用品(上海)有限公司
客户地址: 上海市浦东新区川沙新镇川沙路1111号普瑞斯防护用品(上海)有限公司

检测标准: GB 2626-2019
检测项目: 呼吸防护用品的型式检验和认证

检测日期: 2020.7.4
检测地点: 普瑞斯防护用品(上海)有限公司

检测人员: 王明
检测地点: 普瑞斯防护用品(上海)有限公司

检测地点: 普瑞斯防护用品(上海)有限公司

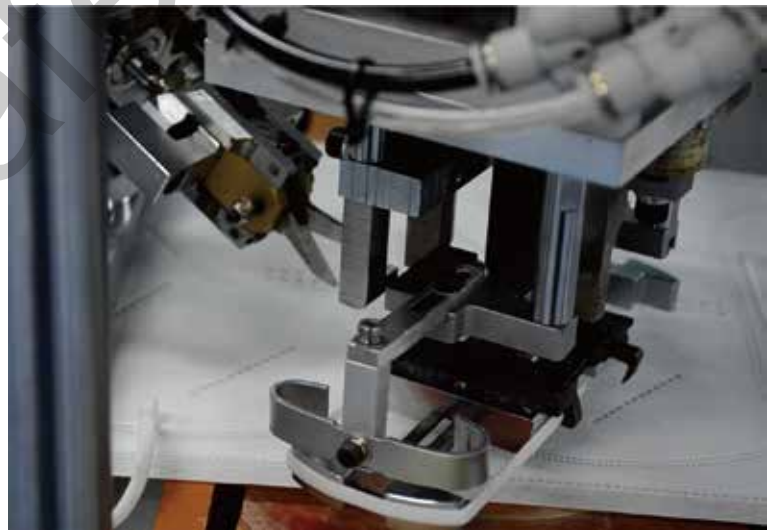
检测地点: 普瑞斯防护用品(上海)有限公司

检测日期: 2020.7.4

检测人员: 王明

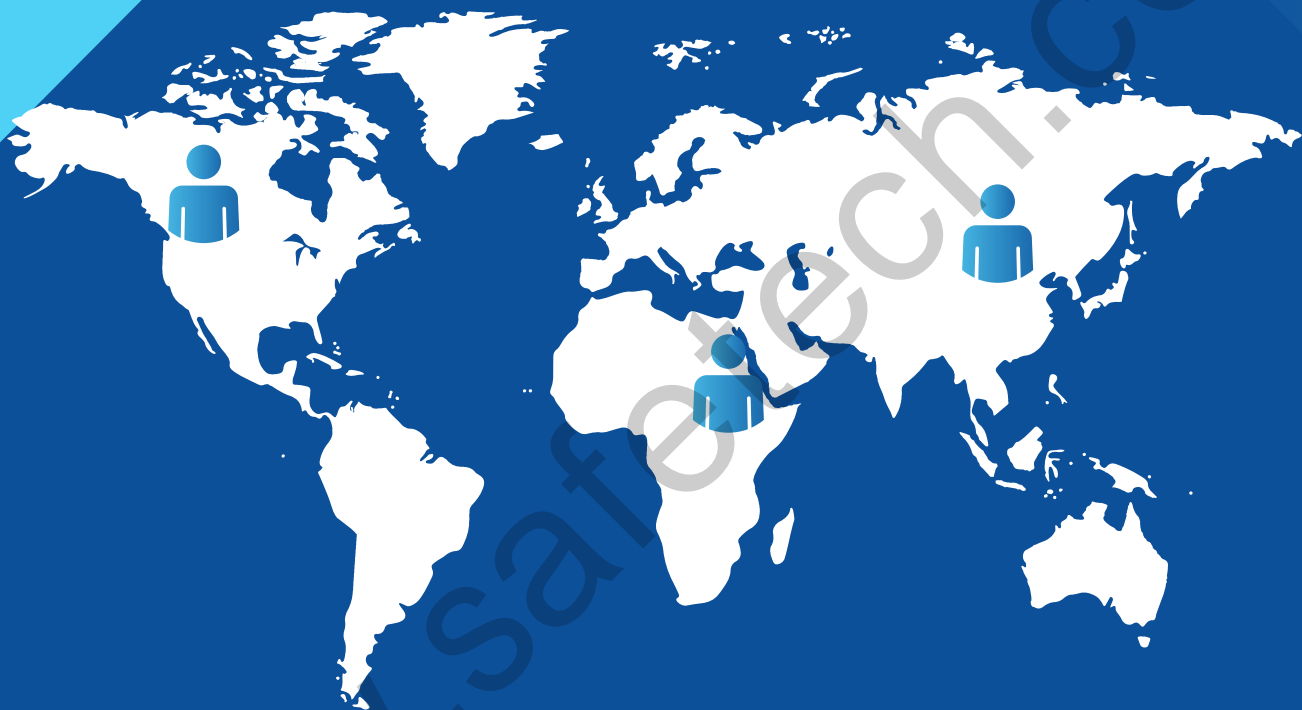
检测地点: 普瑞斯防护用品(上海)有限公司

DUST- AND GERM-FREE WORKSHOP



TESTING LABORATORY





**SOUNDPOND INTERNATIONAL CO.,LTD
FUJIAN SAFETECH PROTECTION CO.,LTD
GREAT UNION GARMENT MFG.LIMITED**

ADDRESS: NO.6 ROAD EAST,TIELING INDUSTRIAL ZONE,ZONE 1,
BLOCK 9 JINGXI TOWN.MINHOU COUNTY FUZHOU,
FUJIAN PROVINCE,P.R.CHINA

FAX.: +86-591-8782 6099

TEL.: +86-591-8780 7888

WEB: [HTTP://WWW.SPSAFETECH.COM](http://www.spsafetech.com)

E-MAIL: INFOSAFETECH@SPSAFETECH.COM

FUZHOU · CHINA