



Soundpond
Technical performance



Fujian Safetech Protection Co.,LTD

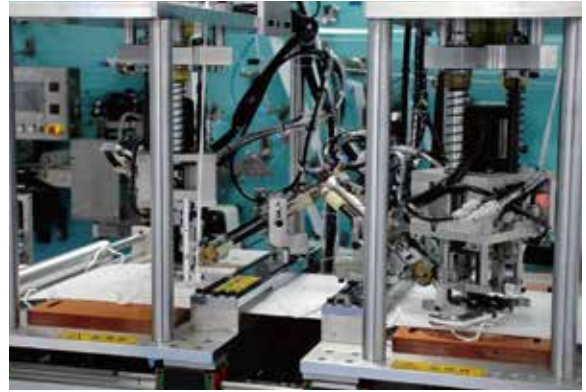
NAME LIST OF NON-MEDICAL USE FACE MASKS COMPANIES WITH
CERTIFICATION/AUTHORIZATION FROM OTHER COUNTRIES

FFP2 PROTECTIVE MASK

SOUNDPOND SAFETECH MANUFACTURING BASE



100,000 CLASS CLEAN WORKSHOP



TESTING CENTER





Located in China's southern-east coast, Fujian safetech protection Co.,LTD. has got our own large production facilities producing workwear, functional wear, rainwear, and uniforms.

Established in 2009, our company is a professional manufacturer engaged in the research, development, production, sales and service of medical instruments.

Our main products are disposable protective coverall , isolation gown, surgical gown, disposable shoes cover,safety glasses ,KN95 and so on.

Dedicated to strict quality control and thoughtful customer service, our experienced staff members are always available to discuss your requirements and ensure full customer satisfaction. In recent years, our company has introduced a series of advanced equipment.

In addition, we have attained FDA, CE and ISO9001 certificates. Selling well in all cities and provinces around China, our products are also exported to clients in such countries and regions as Africa, Europe and America.

We also welcome OEM and ODM orders.Whether selecting a current product from our catalog or seeking engineering assistance for your application, you can talk to our customer service center about your sourcing requirements.

PROTECTIVE MASK

GB2626-2019

FIVE-LAYER
THREE-DIMENSIONAL

CE 0598 FFP2 NR
EN 149:2001+A1:2009



MULTI-LAYERS PROTECTION



FIT-TO-FACE DESIGN



FOLDABLE



SOFT EARHOOK



TEMPERATURE RANGE OF STORING
-30° C TO +70° C



MAXIMUM RELATIVITY HUMIDITY OF STORING
80% AND MORE



DAMAGE DISABLED



2 YEARS (USABLE LIFE)

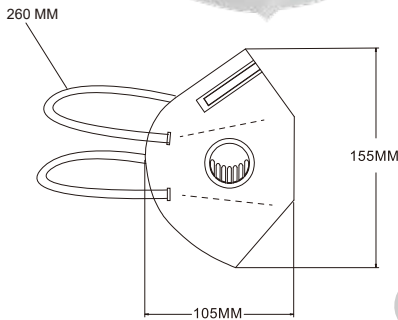


SEE INFORMATION SUPPLIED BY THE MANUFACTURER

FILTRATION EFFICIENCY

≥ 95%

KN95/FFP2 PROTECTIVE MASK—WITH VALVE (HEAD BAND WITH STAPLE)



Five-layers filter structure, high filtration efficiency, dust filter rate 95%, anti - particulate dust and pollen. Skin-friendly surface non-woven fabric has good water absorption function, the outer non-woven fabric has good water resistance and can continuously resist pollution. Inner nose clips KN95 protective masks are widely used in factories, electronic, instrumentation, food and outdoor places.

PRODUCT PARAMETERS			
Brand	Soundpond safetech	Color	○
Item number	SP-2020D	Layer	Five-layer
Material	Non-woven fabric, melt-blown fabric	Function	Anti-fog Anti-dust Anti-spray
Storage	Cool Ventilation Dry	Package	Individual package

PACKAGE SIZE:

PACKAGING 1:

Packaging 1:
Qty/Bag: 5pcs
Bag Size: 16X22CM
Bags/Ctn: 90 bags



PACKAGING 2:

Packaging 2:
Qty/Bag: 10pcs
Bag Size: 18X28CM
Bags/Ctn: 60 bags



PACKAGING 4:

Packaging 3:
Qty/Box: 25pcs
Box Size: 12.5*12*19CM
Boxes/Ctn: 16 Boxes



MEDICAL DEVICE PRODUCTION LICENSE

Medical device production license
医疗器械生产许可证

License no.: Bureau of Fujian medical device supervision #20200618
许可证编号：闽药监械生产许20200618号

企业名称：福建顺邦防护科技有限公司
Company name: Fujian safetech protection co.,ltd

生产地址：福州市闽侯县荆溪镇铁岭工业园一期九号东栋6号1号楼1层、2号楼9号楼1层
The first floor of building #1, building #2 and building #9, No.6 road east, Tieling Industrial zone, Zone 1,Block 9Jingxi town, Minhou county, Fujian province P.R. China.

法定代表人：刘玉林
Legal representative: Liu Yulin

生产范围：二类I-IV医护人员防护用品***
Production scope: class II 14-14 protective equipment for medical staff

企业负责人：刘玉林
Business owner: Liu Yulin

License issuing department: Drug administration of Fujian

住所：闽侯县铁岭工业集中区
Address: Tieling industrial concentration area, Minhou county

发证部门：福建省药品监督管理局
福建省委省政府

有效期至：至 2025 年 06 月 03 日
Valid to :2025-JUNE-03

发证日期：2020 年 06 月 04 日
Date of Issue:2020-JUNE-04

国家药品监督管理局制
State food and drug administration

RECORDAL REGISTER BOOK OF INTERNATIONAL TRADER

对外贸易经营者备案登记表

统一社会信用代码: 91350121793752241N

备案登记表编号: 03493846

进出口企业代码: _____

经营者中文名称	福建顺邦防护科技有限公司		
经营者英文名称	FUJIAN SAFETECH PROTECTION CO.,LTD.		
组织机构代码	_____	经营者类型 (由备案登记机关填写)	有限责任公司
住 所	闽侯县铁岭工业集中区		
经营场所 (中文)	闽侯县铁岭工业集中区		
经营场所 (英文)	Tieling Industrial Concentration Area, Minhou County		
联系电话	13799990797	联系传真	_____
邮政编码	350101	电子邮箱	linlinganny@163.com
工商登记注册日期	2006-10-8	工商登记注册号	_____

依法办理工商登记的企业还须填写以下内容

企业法定代表人姓名	刘玉林	有效证件号	350102196309100516
注册资金	陆仟陆佰肆拾万元		(折美元)

依法办理工商登记的外国 (地区) 企业或个体工商户 (独资经营者) 还须填写以下内容

企业法定代表人 / 个体工商户负责人姓名		有效证件号	
企业资产 / 个人财产			(折美元)

备注	已完成原产地申请人备案, 请到检验检疫机构/贸促会办理原产地证
----	---------------------------------

填表前请认真阅读背面的条款, 并由企业法定代表人或个体工商户负责人签字, 盖章。



2020

04 年 月 日

NAME LIST OF NON-MEDICAL USE FACE MASKS COMPANIES WITH CERTIFICATION/AUTHORIZATION FROM OTHER COUNTRIES



中国医药保健品进出口商会
服务产业链 | 助力国际化

English

[首页](#)
[关于商会](#)
[新闻中心](#)
[行业服务](#)
[权威发布](#)
[商委会刊](#)
[企业风采](#)
[会员之家](#)
[加入商会](#)

新闻中心 > 通知公告

动态更新：取得国外标准认证或注册的非医用口罩生产企业清单

2020年10月17日 中国医药保健品进出口商会

推荐阅读

序号	生产企业	统一社会信用代码	国外注册认证情况
882	福建顺邦防护科技有限公司 Fujian Safetech Protection Co.,Ltd	91350121793752244N	欧盟CE
883	深圳市维珍妮医疗科技有限公司 Shenzhen Regina Miracle Medical Technology Co., Ltd.	91440300MA5G811Y9B	欧盟CE
884	深圳市大生圆医疗器械有限公司 Shenzhen Da Sheng Yuan Medical Equipments Company Limited	91440300MA5G45J4X1	欧盟CE
885	易纬(广东)医疗生物科技有限公司 Everlasting(Guangdong) Medical&Biological Technology Co.,Ltd.	91441802MA54CK9WGT	欧盟CE
886	惠州市中德医疗科技有限公司	91441302MA4UH-HPTZT	欧盟CE

动态更新：取得国外标准认证或注册的非医用口罩生产企业清单...
 医药商会荣获商务部抗击新冠肺炎疫情工作特别贡献奖
 关于邀请参加2020防疫物资精品展暨医疗器械国际洽...
 国内具备欧盟 (EN149/14683) 检测能力的检测机构...
 克旗现场今取双胜利 | “战时” 担当当 专业助抗疫 谱...
 ...
 有关表述
 社口“抗击疫情经验国际...
 一行赴防疫物资生产企业北...
 海外商医审核交流视频会议
 商协会组织负责人接受央视...

2020年10月17日 中国医药保健品进出口商会

取得国外标准认证或注册的非医用口罩生产企业清单

动态更新：2020年10月16日下载

序号	生产企业	统一社会信用代码	国外注册认证情况
882	福建顺邦防护科技有限公司 Fujian Safetech Protection Co.,Ltd	91350121793752244N	欧盟CE
883	深圳市维珍妮医疗科技有限公司 Shenzhen Regina Miracle Medical Technology Co., Ltd.	91440300MA5G811Y9B	欧盟CE
884	深圳市大生圆医疗器械有限公司 Shenzhen Da Sheng Yuan Medical Equipments Company	91440300MA5G45J4X1	欧盟CE



FOOD AND DRUG ADMINISTRATION

Classification Name:FACE MASK (EXCEPT N95 RESPIRATOR) FOR GENERAL PUBLIC/HEALTHCARE PERSONNEL PER IIE GUIDANCE

Registered Establishment Name:FUJIAN SAFETECH PROTECTION CO., LTD

Registered Establishment Number: **3016666730**

Owner/Operator:Fujian Safetech Protection Co Ltd

Owner/Operator Number: **10063359**

Establishment Operations:Manufacturer



U.S. Department of Health & Human Services

Follow FDA | En Español

U.S. FOOD & DRUG ADMINISTRATION

Home | Food | Drugs | Medical Devices | Radiation-Emitting Products | Vaccines, Blood & Biologics | Animal & Veterinary | Cosmetics | Tobacco Products

Establishment Registration & Device Listing

1 result found for Owner Operator Number : 10063359

Establishment Name	Registration Number	Current Registration Yr
FUJIAN SAFETECH PROTECTION CO., LTD CHINA	3016666730	2020
<ul style="list-style-type: none"> Suit, Surgical Face Mask (Except N95 Respirator) For General Public/Healthcare Personnel Per Iie Guidance Non-Surgical Isolation Gown Respirator, Surgical - KN95 		Manufacturer

Can't find what you're looking for? [Try a new search](#)

Page Last Updated: 05/04/2020
 Note: If you need help accessing information in different file formats, see Instructions for Downloading View

Classification Name:	FACE MASK (EXCEPT N95 RESPIRATOR) FOR GENERAL PUBLIC/HEALTHCARE PERSONNEL PER IIE GUIDANCE
Product Code:	QKR
Device Class:	Not Classified
Registered Establishment Name:	FUJIAN SAFETECH PROTECTION CO., LTD
Registered Establishment Number:	3016666730
Owner/Operator:	Fujian Safetech Protection Co Ltd
Owner/Operator Number:	10063359
Establishment Operations:	Manufacturer

MODULE B, EU TYPE-EXAMINATION



EN 149:2001+A1:2009 FFP2NR





MODULE D

Certificate CN21/42153

The management system of

FUJIAN SAFETECH PROTECTION CO., LTD.

No.6 Road East, Tieling Industrial Zone, Zone 1, Block 9, Jingxi Town,
Minhou County, Fuzhou City, Fujian Province, P.R. China

has been assessed and certified as meeting the requirements of

Regulation (EU) 2016/425

Module D

For the following activities

Manufacture of FFP2 Protective Respirators
(Note: all products marked CE0598 must have a valid EU Type Examination Certificates issued under Module B or a valid EC type-examination certificate issued under Article 10 of the PPE Directive 89/686/EEC.)

This certificate is valid from 21 February 2021 until 20 February 2024
and remains valid subject to satisfactory surveillance audits.
Re certification audit due before 28 January 2024
Issue 1. Certified since 21 February 2021

Authorised by

SGS FIMKO OY, Notified Body 0598
Tukomoto 8, FI-00380 Helsinki, Finland
t +358 9 696 361 f +358 9 692 5474 www.sgs.com

FINAS
Finnish Accreditation Service
S003 (EN ISO/IEC 17065)

Page 1 of 1

This document is issued by the Company subject to its General Conditions of Certification Services accessible at www.sgs.com/terms_and_conditions.htm. Attention is drawn to the limitations of liability, indemnification and jurisdictional issues established therein. The authenticity of this document may be verified at http://www.sgs.com/service/clients_and_producers/verified-client-directory. Any unauthorized alteration, forgery or falsification of the content or appearance of this document is unlawful and offenders may be prosecuted to the fullest extent of the law.

SP201D STAPLE HEAD BAND-PROTECTIVE FACE MASK WITH BREATHING VALVE-EN149 TEST REPORT

SGS Test Report: SL202528647201TX, Date: September 04, 2020, Page 1 of 9. Client: FUJIAN SAFETECH PROTECTION CO., LTD. Product: STAPLE HEAD BAND-PROTECTIVE FACE MASK WITH BREATHING VALVE.

SGS Test Report: SL202528647201TX, Date: September 04, 2020, Page 2 of 9. Clause 7.1: Particulate matter. Results: Pass.

SGS Test Report: SL202528647201TX, Date: September 04, 2020, Page 3 of 9. Clause 7.2: Leak tightness. Results: Pass.

Signatures and stamps for the first three pages.

SGS Test Report: SL202528647201TX, Date: September 04, 2020, Page 4 of 9. Clause 7.3: Head harness. Results: Pass.

SGS Test Report: SL202528647201TX, Date: September 04, 2020, Page 5 of 9. Clause 7.4: Field of vision. Results: Pass.

SGS Test Report: SL202528647201TX, Date: September 04, 2020, Page 6 of 9. Clause 7.5: Penetration resistance. Results: Pass.

SGS Test Report: SL202528647201TX, Date: September 04, 2020, Page 7 of 9. Clause 7.6: Leak tightness. Results: Pass.

SGS Test Report: SL202528647201TX, Date: September 04, 2020, Page 8 of 9. Clause 7.7: Leak tightness. Results: Pass.

SGS Test Report: SL202528647201TX, Date: September 04, 2020, Page 9 of 9. Appendix 4: Summary of Test Data.

SGS Test Report: SL202528647201TX, Date: September 04, 2020, Page 9 of 9. Appendix 5: Summary of Test Data.

SGS Test Report: SL202528647201TX, Date: September 04, 2020, Page 9 of 9. Appendix 6: Summary of Test Data.

SGS Test Report: SL202528647201TX, Date: September 04, 2020, Page 9 of 9. Appendix 7: Summary of Test Data.

SGS Test Report: SL202528647201TX, Date: September 04, 2020, Page 9 of 9. Appendix 8: Summary of Test Data.

SGS Test Report: SL202528647201TX, Date: September 04, 2020, Page 9 of 9. Appendix 9: Summary of Test Data.

SGS Test Report: SL202528647201TX, Date: September 04, 2020, Page 9 of 9. Appendix 10: Summary of Test Data.

SGS Test Report: SL202528647201TX, Date: September 04, 2020, Page 9 of 9. Appendix 11: Summary of Test Data.

SGS Test Report: SL202528647201TX, Date: September 04, 2020, Page 9 of 9. Appendix 12: Summary of Test Data.

SGS Test Report: SL202528647201TX, Date: September 04, 2020, Page 9 of 9. Appendix 13: Summary of Test Data.

SGS Test Report: SL202528647201TX, Date: September 04, 2020, Page 9 of 9. Appendix 14: Summary of Test Data.

SGS Test Report: SL202528647201TX, Date: September 04, 2020, Page 9 of 9. Appendix 15: Summary of Test Data.



End of Report

TEST REPORT-GB2626-2006

SGS MA CNAS 中国认可 测试 CNAS 1599

检测报告 编号 日期 第 1 页共 6 页

Test Report No. SL520252571281TX Date: 2020-7-10 Page 1 of 6

下列样品由客户提供并确认: The following sample(s) was/were submitted and identified on behalf of the client:

客户信息 Client information	委托单位: 福建斯耐防护科技有限公司 FUJIAN SAFETECH PROTECTION CO., LTD
委托单位地址: Consignor address:	福建省福州市闽侯县青圃镇钢铁工业园一期九号路 6 号 NO.6 ROAD EAST, TIEJING INDUSTRIAL ZONE (1), JINGXI TOWN, MINHOU COUNTY, FUZHOU 350111, FUJIAN
样品描述: Sample Description:	KN95 防护口罩(非医用), 无纺布, 熔喷布, 颜色为白色。 KN95 protective face mask (non-medical), non-woven/melt-blown in white.
样品信息 Sample information	型号: SP0200 生产厂家: 福建斯耐防护科技有限公司 FUJIAN SAFETECH PROTECTION CO., LTD 样品数量: 1 包 One package 包装规格: 每包 10 个 Submitted (sample sent by client)
检测日期: Test Date:	2020-05-13 检测周期: 2020-05-13-2020-07-10
检测依据: Document Accordance	详见检测报告 See test result page
检测标准: Judgement Accordance	客户标准: GB 2626-2006 呼吸防护用品 过滤式防颗粒物呼吸器 China's requirement: GB 2626-2006 Respiratory protective equipment- Non-powered or purifying particle respirator
检测结果: Test Conclusion	本报告仅就检测数据和检测结果, 详见检测报告。 总页: The report only give the test result and individual judgment, detail please see follow page.

通标标准技术服务(上海)有限公司
SGS-CSTC Standards Technical Services (Shanghai) Co., Ltd
批准人签署 Approved by:

曹小英 Ellen Cui
(授权签字人 Authorized Signatory)
测试数据仅供参考
This test report refer only to the samples tested

SGS 检测报告 编号 日期 第 2 页共 6 页

Test Report No. SL520252571281TX Date: 2020-7-10 Page 2 of 6

序号 No.	检测项目及测试方法 Test Item & Test Methods	单位 Unit	技术要求 Requirement	检测结果 Test Result	单项判定 Individual Judgment
1.	外观检查 Appearance (GB 2626-2006 6.1)	-	样品表面不得有裂纹、变形等影响使用的其他缺陷; 部件材料和结构应能耐受正常使用条件下可能遇到的冲击、碰撞和机械冲击, 无变形; 可更换式卡扣前端的卡扣设计应为可更换; 卡扣前端的卡扣在佩戴时不应出现松动等影响使用的情况; 经温度湿度预处理和相对湿度预处理后, 零件不应收缩、变形和开裂。 The sample surface shall be no damage, deformation and other other defects. The materials and structure of the sample shall be able to withstand normal use conditions and possible temperature, humidity. The mask band should be adjustable. After temperature, humidity pretreatment, the sample surface shall be no damage, deformation and other other defects.	符合客户要求 Meet requirement	符合 Pass

SGS 检测报告 编号 日期 第 3 页共 6 页

Test Report No. SL520252571281TX Date: 2020-7-10 Page 3 of 6

序号 No.	检测项目及测试方法 Test Item & Test Methods	单位 Unit	技术要求 Requirement	检测结果 Test Result	单项判定 Individual Judgment
2.	头带 Mask band (GB 2626-2006 6.11)	-	固定式面罩: 10N 持续 10s, 不应出现滑脱或断裂 For disposable face mask: Apply a tensile force of 10 N for 10 s, no slip-out, breakage occurs during the test.	未预处理 Original 后预处理 After pretreatment	符合 Pass
3.	可燃性 Burning behavior (GB 2626-2006 6.15)	-	暴露于火焰的各部件由火焰移除后, 不应继续燃烧, 如要燃烧, 燃烧时间不得超过 5s。 When tested, the mask shall not burn or not to continue to burn for more than 5s after removal from the flame.	未预处理 Original 预处理 After pretreatment	符合 Pass

SGS 检测报告 编号 日期 第 4 页共 6 页

Test Report No. SL520252571281TX Date: 2020-7-10 Page 4 of 6

序号 No.	检测项目及测试方法 Test Item & Test Methods	单位 Unit	技术要求 Requirement	检测结果 Test Result	单项判定 Individual Judgment
4.	吸气阻力 Inhalation resistance (GB 2626-2006 6.3)	Pa	≤350	未预处理 Original: 177 预处理 After pretreatment: 156	符合 Pass
5.	呼气阻力 Exhalation resistance (GB 2626-2006 6.4)	Pa	≤250	未预处理 Original: 143 预处理 After pretreatment: 151	符合 Pass
6.	过滤效率 Filtration Efficiency (GB 2626-2006 6.5)	%	≥95.0	未预处理 Original: 97.216, 97.216, 98.544, 97.829, 97.633, 98.559, 98.157, 97.500 预处理 After pretreatment: 98.253, 98.310, 98.502, 98.476	符合 Pass
7.	视野 Field of vision (GB 2626-2006 6.9)	%	≥1	0.7	符合 Pass
8.	视野 Field of vision (GB 2626-2006 6.10)	-	下方视野 ≥60° Lower field of vision: ≥60°	61°	符合 Pass

备注: 本检测报告仅在本实验室认可范围内, 测试方法和标准认证证书认可范围内执行, 其 CMA 资质认定证书编号为 20021534010, 检测项目不在检测认证范围内的 CNAS 资质认定证书认可范围内。
Remarks: "The test is not approved in SGS SH by China Inspection Body and Laboratory Mandatory Approval. It was carried out by Tianfangshan standardization certification & testing co., ltd and it's CMA qualification authentication license Numbers is 20021534010, the test item is not approved in the CNAS qualification authentication license."

SGS 检测报告 编号 日期 第 5 页共 6 页

Test Report No. SL520252571281TX Date: 2020-7-10 Page 5 of 6

序号 No.	检测项目及测试方法 Test Item & Test Methods	单位 Unit	技术要求 Requirement	检测结果 Test Result	单项判定 Individual Judgment
9.	漏气 Leak (GB 2626-2006 6.4)	-	50 个动作中至少 45 个动作的 TL ≤11%, 10 个动作中至少 8 人的 TL ≤8% TL of at least 45 of 50 actions is <11%. TL of at least 8 out of 10 subjects <8%	未预处理 Original: 6.57, 6.24, 6.20, 7.52, 6.37, 6.30, 6.34, 7.38, 7.69, 7.65, 6.40, 7.19, 6.42, 6.28, 6.26, 6.54, 6.29, 6.84, 6.45, 6.21, 7.74, 4.25, 6.50, 6.54, 6.43, 7.86, 8.18, 7.89, 7.37, 6.51, 6.66, 4.20, 4.64, 5.28, 5.20, 6.48, 6.54, 6.17, 6.19, 7.25, 7.83, 6.26, 6.20, 6.20, 5.20, 5.16, 5.20, 7.69, 6.70, 6.74, 6.77, 6.12, 6.50, 7.38, 7.54, 7.22, 6.93, 6.83, 7.28	符合 Pass

SGS 检测报告 编号 日期 第 6 页共 6 页

Test Report No. SL520252571281TX Date: 2020-7-10 Page 6 of 6

此符合声明仅基于本次实验室活动的测试结果, 本报告仅就检测数据和检测结果, 不确定度影响予以考虑。
The statement of conformity in this test report is only based on measured values by the laboratory and does not take their uncertainties into consideration.

报告结束
"End of Report"



TEST REPORT-GB2626-2019

SGS 检测方 客户 日期 页码
Test Report No. N16200004674 Date: 2020.7.4 Page 1 of 1

检测项目: 呼吸防护用品 过滤效率及阻力测试

客户名称: 苏州工业园区...
客户地址: ...
样品名称: ...
样品数量: ...
检测标准: GB 2626-2019

检测日期: 2020.7.4
检测地点: ...

检测员: ...
审核员: ...

SGS 检测方 客户 日期 页码
Test Report No. N16200004674 Date: 2020.7.4 Page 2 of 1

序号	检测项目	检测方法	标准要求	检测结果	判定
1	过滤效率	GB 2626-2019	≥95%	95.2%	合格
2	阻力	GB 2626-2019	≤120Pa	115Pa	合格

SGS 检测方 客户 日期 页码
Test Report No. N16200004674 Date: 2020.7.4 Page 3 of 1

序号	检测项目	检测方法	标准要求	检测结果	判定
3	颗粒物浓度	GB 2626-2019	≤1000000000	1000000000	合格
4	颗粒物浓度	GB 2626-2019	≤1000000000	1000000000	合格

SGS 检测方 客户 日期 页码
Test Report No. N16200004674 Date: 2020.7.4 Page 4 of 1

序号	检测项目	检测方法	标准要求	检测结果	判定
5	颗粒物浓度	GB 2626-2019	≤1000000000	1000000000	合格
6	颗粒物浓度	GB 2626-2019	≤1000000000	1000000000	合格

SGS 检测方 客户 日期 页码
Test Report No. N16200004674 Date: 2020.7.4 Page 5 of 1

序号	检测项目	检测方法	标准要求	检测结果	判定
7	颗粒物浓度	GB 2626-2019	≤1000000000	1000000000	合格
8	颗粒物浓度	GB 2626-2019	≤1000000000	1000000000	合格

SGS 检测方 客户 日期 页码
Test Report No. N16200004674 Date: 2020.7.4 Page 6 of 1

序号	检测项目	检测方法	标准要求	检测结果	判定
9	颗粒物浓度	GB 2626-2019	≤1000000000	1000000000	合格
10	颗粒物浓度	GB 2626-2019	≤1000000000	1000000000	合格

SGS 检测方 客户 日期 页码
Test Report No. N16200004674 Date: 2020.7.4 Page 7 of 1

检测项目: 呼吸防护用品 过滤效率及阻力测试

客户名称: ...
客户地址: ...
样品名称: ...
样品数量: ...
检测标准: GB 2626-2019

检测日期: 2020.7.4
检测地点: ...

检测员: ...
审核员: ...



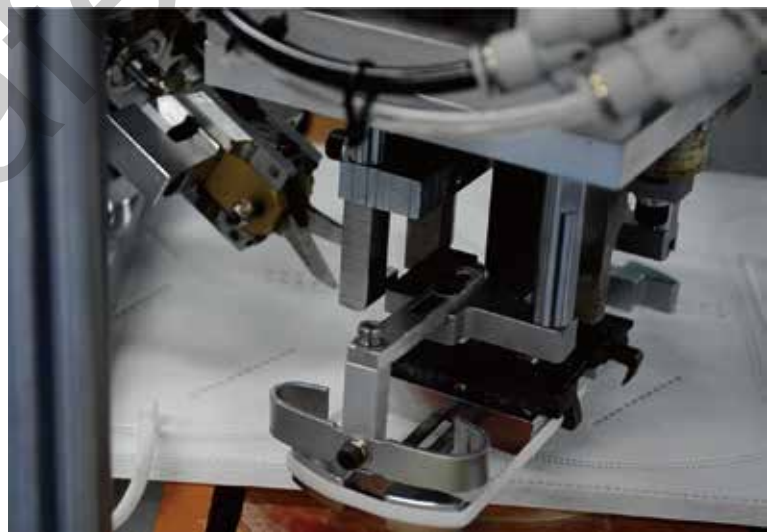
检测结果: 合格

检测日期: 2020.7.4

检测地点: ...

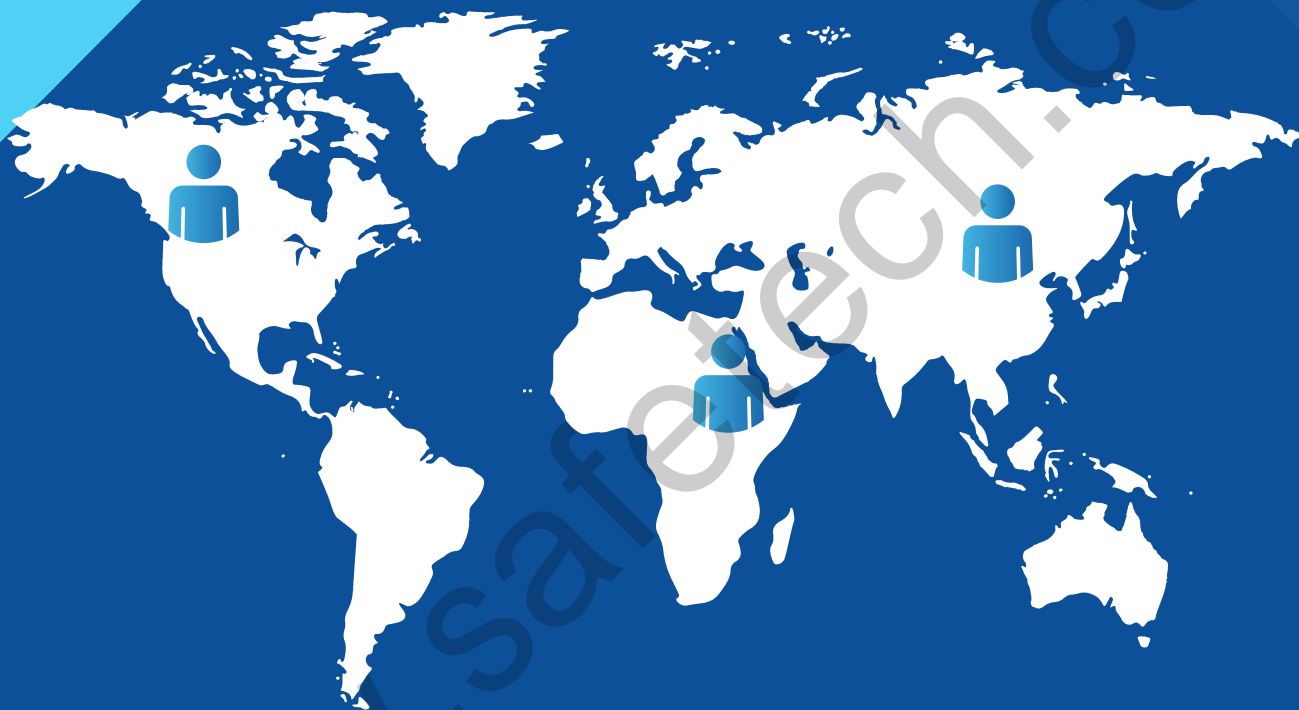
检测员: ...
审核员: ...

DUST- AND GERM-FREE WORKSHOP



TESTING LABORATORY





**SOUNDPOND INTERNATIONAL CO.,LTD
FUJIAN SAFETECH PROTECTION CO.,LTD
GREAT UNION GARMENT MFG.LIMITED**

ADDRESS: NO.6 ROAD EAST,TIELING INDUSTRIAL ZONE,ZONE 1,
BLOCK 9 JINGXI TOWN.MINHOU COUNTY FUZHOU,
FUJIAN PROVINCE,P.R.CHINA

FAX.: +86-591-8782 6099

TEL.: +86-591-8780 7888

WEB: [HTTP://WWW.SPSAFETECH.COM](http://www.spsafotech.com)

E-MAIL: INFOSAFETECH@SPSAFETECH.COM

FUZHOU • CHINA